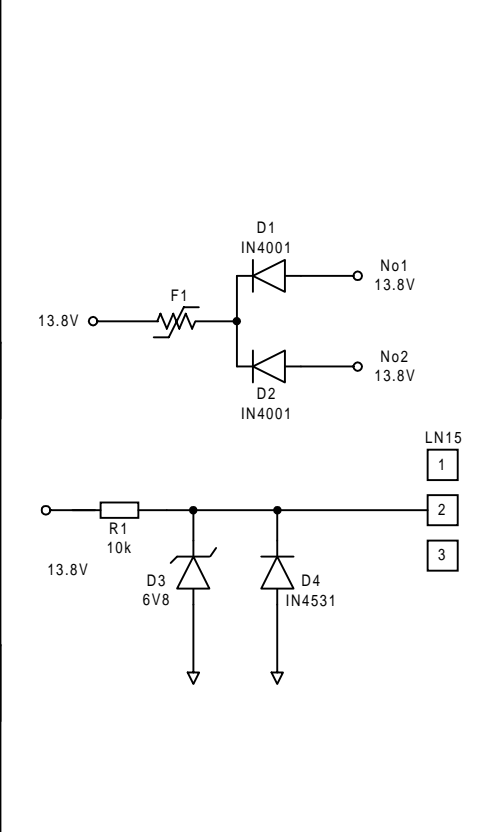


PL 1		SK 1		SK 2		SK 3		SK 4		SK 5		SK 6		SW 1		LN 1	
OEM		RIGHT	TX/EX 1	LEFT	TX/EX 1	No1	DC:IN	No1	CH/PNL	No1	ALARM UNIT	No1	MONITOR	No1	CH/SELECT	No1	FAN
PIN	FUNCTION	PIN	FUNCTION	PIN	FUNCTION	PIN	FUNCTION	PIN	FUNCTION	PIN	FUNCTION	PIN	FUNCTION	PIN	FUNCTION	PIN	FUNCTION
1	LINE 1 TX/EX 1	1	LINE 1 TX/EX 1	1	CH SELECT 1 TX/EX1	1	13.8V No1	1	CH SELECT 8 TX/EX1	1	TX KEY TX/EX1	1		1	0V	1	TX ENABLE TX/EX 1
2	LINE 4 TX/EX 1	2		2	CH SELECT 2 TX/EX1	2	13.8V No1	2	0V	2	PSU ALM No1	2		2	0V	2	CN2 DRIVE
3	FWD PWR ALARM No 1	3		3	CH SELECT 3 TX/EX1	3	FWD PWR ALARM 1	3	CH SELECT 6 TX/EX1	3		3		3	0V	3	0V
4	URGENT ALARM No 1	4	LINE 1 TX/EX 4	4	CH SELECT 4 TX/EX1	4	REV PWR ALARM 1	4	CH SELECT 5 TX/EX1	4		4		4	0V	LN 2 TX/EX 1	
5	BATTERY ALARM No 1	5	TX/EX ENABLE TX/EX 1	5	CH SELECT 5 TX/EX1	5		5	CH SELECT 7 TX/EX1	5	ALM #1 IN No1	5	LINE 1 TX/EX 1	5	0V	1	REV PWR ALM 1
6	ALARM #1 OUT No 1	6		6	CH SELECT 6 TX/EX1	6		6	CH SELECT 4 TX/EX1	6		6		6	0V	2	REV PWR ALM No1
7	ALARM #1 OUT No 2	7	SERIAL COMM PRI	7	CH SELECT 7 TX/EX1	7	0V	7		7	REV PWR ALM 1	7		7	0V	LN 3 TX/EX 1	
8	BATTERY ALARM No 2	8	TONE INPUT TX/EX 1	8		8	0V	8	CH SELECT 3 TX/EX1	8	FWD PWR ALM 1	8		8	0V	9	CH SELECT 8 TX/EX1
9	URGENT ALARM No 2	9	13.8V No1	9		9	13.8V No1	9		9	URGENT ALM No1	9	0V	9	CH SELECT 7 TX/EX1	1	FWD PWR ALM 1
10	FWD PWR ALARM No 2	10	13.8V No1	10	CTCSS INHIBIT	10	13.8V No1	10	CH SELECT 2 TX/EX1	10	BATTERY ALM No1	10	0V	10	CH SELECT 6 TX/EX1	2	FWD PWR ALM No1
11	LINE 4 TX/EX 2	11		11	CH SELECT 8 TX/EX1	11	13.8V No1	11		11		11		11	CH SELECT 5 TX/EX1	LN 4 TX/EX 1	
12	LINE 1 TX/EX 2	12		12	SERIAL COMM SEC.	12	TX ENABLE TX/EX1	12	CH SELECT 1 TX/EX1	12		12		12	CH SELECT 4 TX/EX1	1	TX 1 ENABLE
13	0V NEGATIVE	13	TX/EX KEY TX/EX 1	13	TX 1 FWD PWR ALM	13	0V	13	0V	13	ALM #1 IN No1	13		13	CH SELECT 3 TX/EX1	2	TX ENABLE TX/EX 1
14	TX KEY TX/EX 1	14	0V	14	TX 1 REV PWR ALM	14	0V	14	13.8V C/P1	14	REV PWR ALM No1	14	13.8V No1	14	CH SELECT 2 TX/EX1	LN 5 TX/EX 1	
15	TONE INPUT TX/EX 1	15	0V	15	TX 1 ENABLE	15	0V	15	13.8V C/P1	15	FWD PWR ALM No1	15	13.8V No1	15	CH SELECT 1 TX/EX1	1	TX 1 REV PWR ALM
16	REV PWR ALARM No 1							16	13.8V C/P1	16		16	13.8V No1	16	CH SELECT 1 TX/EX1	2	REV PWR ALM 1

RJ1	
1	
2	
3	SERIAL COMM
4	0V
5	
6	

LN 15	
1	SERIAL COMM PRI
2	SERIAL COMM
3	SERIAL COMM SEC



LN 1 :- FITTED : 1-2, FAN CONTROL BY TX ENABLE
: 2-3, CONTINUOUS FAN OPERATION

LN 2 :- FITTED : 1-2, if NO TA 136-0n- ALARM UNIT FITTED

LN 3 :- FITTED : 1-2, if NO TA 136-0n- ALARM UNIT FITTED

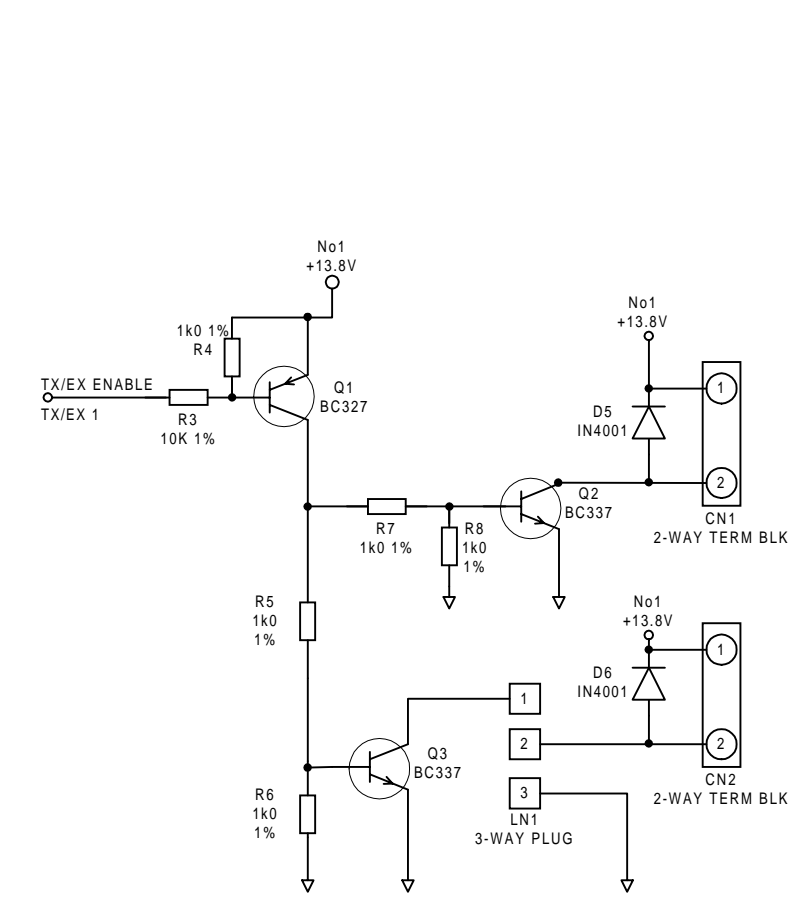
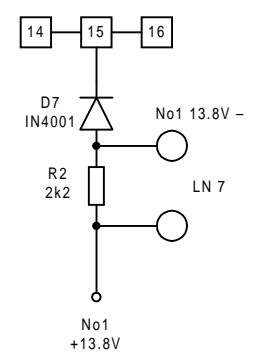
LN 4 :- FITTED : 1-2, for TX WITH T1500-52-0000 FITTED

LN 5 :- FITTED : 1-2, for TX WITH T1500-52-0000 FITTED

LN 6 :- FITTED : 1-2, for TX WITH T1500-52-0000 FITTED

LN 7 :- FITTED : 1-2, for TA 387-01-0000 CHANNEL PANEL

LN 15 :- FITTED : 1-2, PROGRAM THROUGH PRIMARY 'D' RANGE
FITTED : 2-3, PROGRAM THROUGH SECONDARY 'D' RANGE



LN 6	
1	TX 1 FWD PWR ALM
2	FWD PWR ALM 1

LN 7	
1	No1 13.8V
2	No1 13.8V -

CN 1	
No1	RELAY
1	No1 13.8V
2	CN1 DRIVE

CN 2	
No1	FAN
1	No1 13.8V
2	CN2 DRIVE



ISSUE	AMENDMENT	DRAWN	CHECKED	DATE
2	Expanded to 2 pages	AMM	ABB	6/4/00
1	Original	AMM	ABB	3/6/99

FILE: c:\abt800-50-0003 (page 1 of 2) pins.vsd

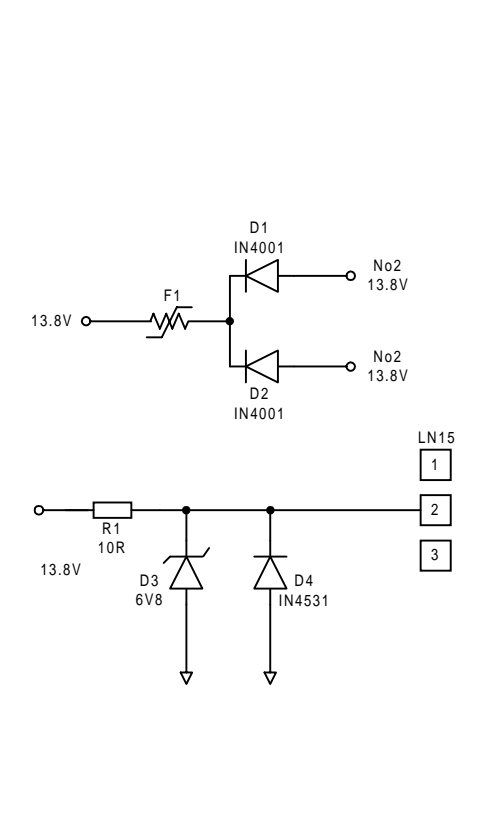
TITLE: PIN FUNCTIONS OF BACKPLANE (220-01594-00) TRANSMIT ONLY / CH-PNL + ALMS

DRAWING: T800-50-0003 Page 1 of 2

PL 1		SK 7		SK 8		SK 9		SK 10		SK 11		SK 12		SW 2		LN 8	
OEM		RIGHT	TX/EX 2	LEFT	TX/EX 2	No2	DC:IN	No2	CH/PNL	No2	ALARM UNIT	No2	MONITOR	No2	CH/SELECT	No2	FAN
PIN	FUNCTION	PIN	FUNCTION	PIN	FUNCTION	PIN	FUNCTION	PIN	FUNCTION	PIN	FUNCTION	PIN	FUNCTION	PIN	FUNCTION	PIN	FUNCTION
1		1	LINE 1 TX/EX 2	1	CH SELECT 1 TX/EX2	1	13.8V No2	1	CH SELECT 8 TX/EX2	1	TX KEY TX/EX2	1		1	0V	1	TX ENABLE TX/EX 2
2		2		2	CH SELECT 2 TX/EX2	2	13.8V No2	2	0V	2	PSU ALM No2	2		2	0V	2	CN4 DRIVE
3		3		3	CH SELECT 3 TX/EX2	3	FWD PWR ALARM 2	3	CH SELECT 6 TX/EX2	3		3		3	0V	3	0V
4		4	LINE 1 TX/EX 4	4	CH SELECT 4 TX/EX2	4	REV PWR ALARM 2	4	CH SELECT 5 TX/EX2	4		4		4	0V	LN 9 TX/EX 2	
5		5	TX/EX ENABLE TX/EX 2	5	CH SELECT 5 TX/EX2	5		5	CH SELECT 7 TX/EX2	5	ALM #1 IN No2	5	LINE 1 TX/EX 2	5	0V		
6		6		6	CH SELECT 6 TX/EX2	6		6	CH SELECT 4 TX/EX2	6		6		6	0V	1	REV PWR ALM 2
7	ALARM #1 OUT No 2	7	SERIAL COMM PRI	7	CH SELECT 7 TX/EX2	7	0V	7		7	REV PWR ALM 2	7		7	0V	2	REV PWR ALM No2
8	BATTERY ALARM No 2	8	TONE INPUT TX/EX 2	8		8	0V	8	CH SELECT 3 TX/EX2	8	FWD PWR ALM 2	8		8	0V	LN 10 TX/EX 2	
9	URGENT ALARM No 2	9	13.8V No2	9		9	13.8V No2	9		9	URGENT ALM No2	9	0V	9	CH SELECT 8 TX/EX2		
10	FWD PWR ALARM No 2	10	13.8V No2	10	CTCSS INHIBIT	10	13.8V No2	10	CH SELECT 2 TX/EX2	10	BATTERY ALM No2	10	0V	10	CH SELECT 7 TX/EX2	1	FWD PWR ALM 2
11	LINE 4 TX/EX 2	11		11	CH SELECT 8 TX/EX2	11	13.8V No2	11		11		11		11	CH SELECT 6 TX/EX2	2	FWD PWR ALM No2
12	LINE 1 TX/EX 2	12		12	SERIAL COMM SEC.	12	TX ENABLE TX/EX2	12	CH SELECT 1 TX/EX2	12		12		12	CH SELECT 5 TX/EX2	LN 11 TX/EX 2	
13	0V NEGATIVE	13	TX/EX KEY TX/EX 2	13	TX 2 FWD PWR ALM	13	0V	13	0V	13	ALM #1 OUT No2	13		13	CH SELECT 4 TX/EX2		
14		14	0V	14	TX 2 REV PWR ALM	14	0V	14	13.8V C/P2	14	REV PWR ALM No2	14	13.8V No2	14	CH SELECT 3 TX/EX2	1	TX 2 ENABLE
15		15	0V	15	TX 2 ENABLE	15	0V	15	13.8V C/P2	15	FWD PWR ALM No2	15	13.8V No2	15	CH SELECT 2 TX/EX2	2	TX ENABLE TX/EX 2
16								16	13.8V C/P2	16		16	13.8V No2	16	CH SELECT 1 TX/EX2	LN 12 TX/EX 2	
17																	
18																	
19	CTCSS INHIBIT																
20	ALARM #1 IN No 2																
21	PSU ALARM No 2																
22	REV PWR ALARM No 2																
23	TONE INPUT TX/EX 2																
24	TX KEY TX/EX 2																
25	13.8V (FUSED)																

RJ1	
1	
2	
3	SERIAL COMM
4	
5	0V
6	

LN 15	
1	SERIAL COMM PRI
2	SERIAL COMM
3	SERIAL COMM SEC



LN 8 :- FITTED : 1-2, FAN CONTROL BY TX ENABLE
: 2-3, CONTINUOUS FAN OPERATION

LN 9 :- FITTED : 1-2, if NO TA 136-0n- ALARM UNIT FITTED

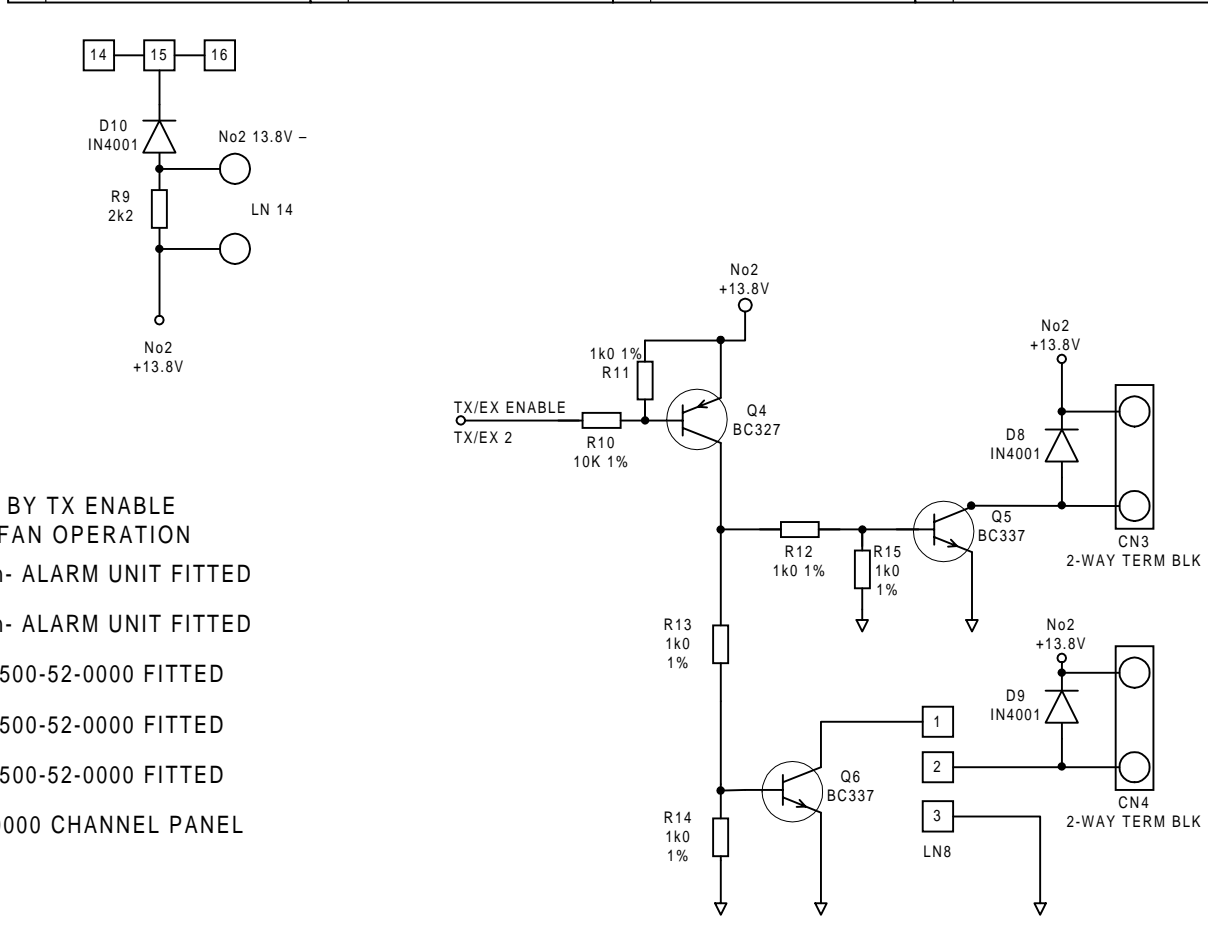
LN 10:- FITTED : 1-2, if NO TA 136-0n- ALARM UNIT FITTED

LN 11:- FITTED : 1-2, for TX WITH T1500-52-0000 FITTED

LN 12:- FITTED : 1-2, for TX WITH T1500-52-0000 FITTED

LN 13:- FITTED : 1-2, for TX WITH T1500-52-0000 FITTED

LN 14:- FITTED : 1-2, for TA 387-01-0000 CHANNEL PANEL



LN 13	
1	TX 2 FWD PWR ALM
2	FWD PWR ALM 2

LN 14	
1	No2 13.8V
2	No2 13.8V -

CN 1	
No2	RELAY
1	No2 13.8V
2	CN3 DRIVE

CN 2	
No2	FAN
1	No2 13.8V
2	CN4 DRIVE